

TriWatcher

Intelligent Outdoor Detector **SIR10**



CE

Advanced detector that expands the possibility of outdoor security



Newly developed TriWatcher method realizes high precision outdoor vigilance by discriminating/eliminating false alarm factors.

TriWatcher method discriminates false alarm factors

Eliminates false alarm factors

Realizes high precision outdoor vigilance

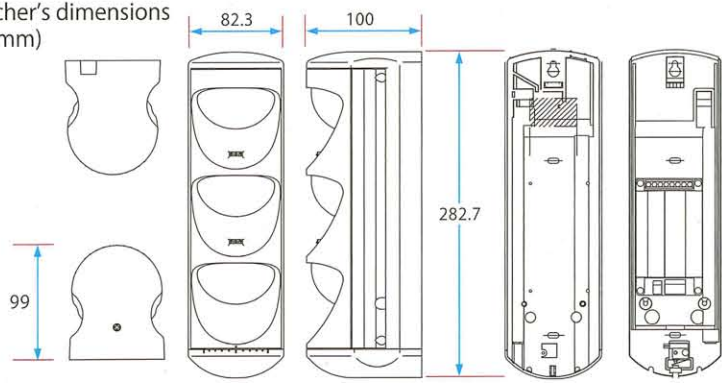
ATSUMI

TriWatcher

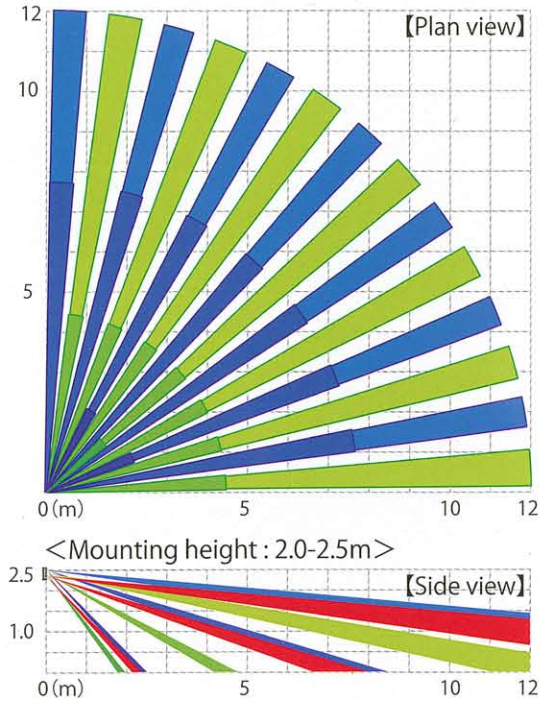
Intelligent Outdoor Detector SIR10



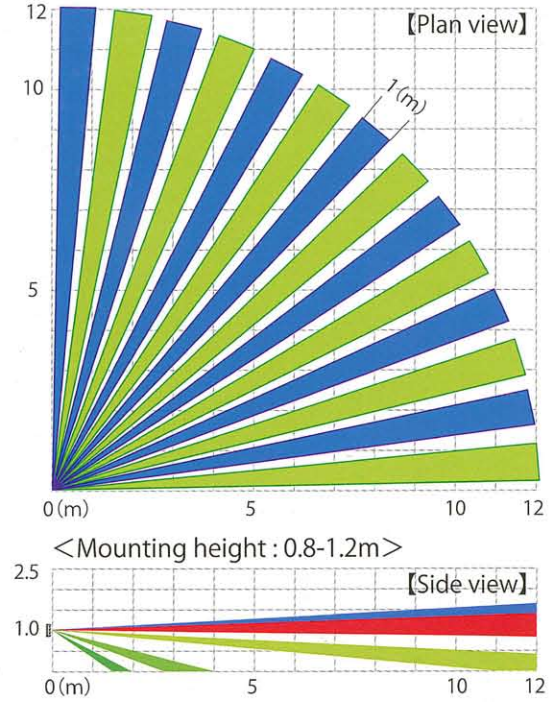
■ TriWatcher's dimensions (unit : mm)



■ Detection area of wide angle coverage



■ Detection area of pet alley coverage



INTELLIGENT OUTDOOR DETECTOR

Description		INTELLIGENT OUTDOOR DETECTOR	
Model	SIR10		
Input voltage	9-28VDC (non-polar)		
Current draw	30mA (max.)		
Operating temp./humid.	-25~+50°C RH95% or less		
Storage temp./humid.	-30~+60°C RH95% or less		
Coverage patterns	Wide angle	Pet alley	
	(selectable by sliding PCB)		
Detection area	12m, 84°(mounting height : 2.0-2.5m)	12m, 84°(mounting height : 0.8-1.2m)	
Detection zones (sectors)	47 pairs (94 sectors)	29 pairs (54 sectors)	
Detection method	Passive infrared method		
LED indicators	Power-on and Warm-up	LED (red)	Flashes (1/sec.)
	Alarm	LED (red)	Lights up (lights off setting available)
	Self-diagnosis	LED (red)	Flashes (1/sec.)
	Precaution	LED (red)	Flashes (once/2.5 sec.)
	Test mode	LED (red)	Lights up or flashes (depends on detection status)
Alarm output	Contact form 1c		
	Output period	One-shot (3-300 seconds : volume adjustment)	
	Rated load	30VDC, 0.1A (resistance load)	
	Output resistance when closed	3.0Ω or less	
Tamper output	Contact form 1b		
	Output period	Open while lower cover is open	
	Rated load	30VDC, 0.1A (resistance load)	
	Output resistance when closed	3.0Ω or less	
Sensitivity adjustment	50-150% (volume adjustment)		
Detection mode	AND/OR (switch selection)		
Pulse count	1/2/3/4 pulses (switch selection)		
Movable range	Horizontal direction: ±45°(at 9°intervals)		
Installation	Indoor / Outdoor, on walls or poles		
Weight	800g		
Color	White (DIC G-21)		

● The product of this catalog is not a burglar-preventing device. Each user is requested to make effective use of this product under each user's sufficient control. ATSUMI shall not be liable for damages caused by thefts, etc.
 ● The actual color of this product may be slightly different from this catalog's printed image. ● Due to ongoing product improvements, specifications and designs are subjected to change without prior notice.

<http://www.atsumi.co.jp>



PARADOX HELLAS S.A.
fire alarm & security systems

KOPINGOY 3 - METAMORFOΣH 144 51 ATTIKHΣ
 THΛ.: 210 28 55 000 FAX: 210 28 55 020
 www.paradox.gr www.paradoxhellas.eu
 e-mail: sales@paradox.gr



ATSUMI ELECTRIC CO., LTD

4-2-2 Shin-Miyakoda Kita-Ku Hamamatsu-City, Shizuoka, Japan 431-2103
 TEL:+81-53-428-4116 FAX:+81-53-428-4119 E-Mail:international@atsumi.co.jp